

**Yodock® 2001M**



**TRINITY**  
**HIGHWAY**  
**RENTALS**

# Yodock® 2001M

The Yodock® 2001M Barricade is a plastic, water-filled Longitudinal Channelizing Device (LCD) used for traffic and pedestrian channelization, road and street closures, or perimeter fencing for vertical construction. When assembled as an LCD, the units are attached end-to-end using a plastic coupler and may be deployed either empty or full.

Additional accessories are available that allow the Yodock® 2001M barricade to be used for temporary sign supports, perimeter fencing, and certain TL-2 longitudinal barrier applications.

## Applications

- Construction & Temporary Work Zones
- Longitudinal Channelizer
- Temporary Sign Support
- Perimeter Fencing
- Airport Construction & Maintenance
- Parking Facilities
- Municipal & Public Utilities
- Security Checkpoints
- Events & Crowd Control
- Parks & Recreational Facilities

## Features

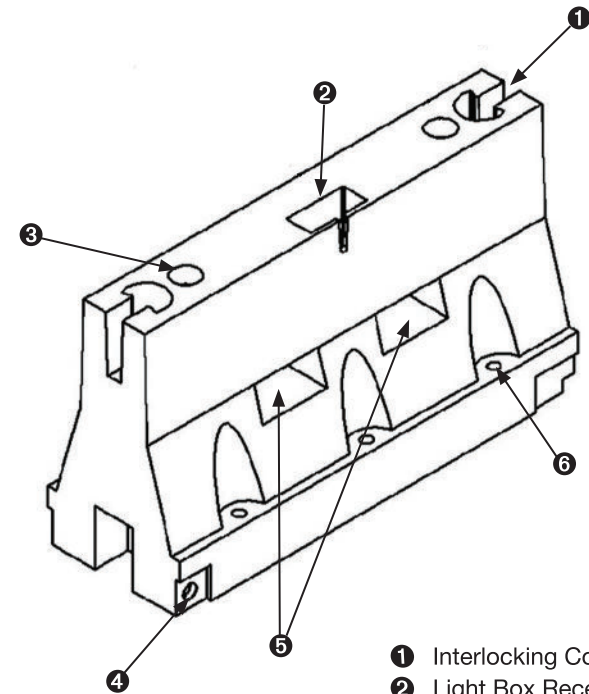
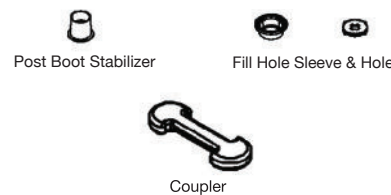
- Lightweight system enables convenient positioning by hand.
- Can be accessorized for longitudinal barrier, perimeter fencing, road closure, and temporary sign support applications.
- Stackable for more efficient transportation and storage.
- Made of Low Density Polyethylene (LDPE).
- Convenient forklift access for maneuverability.
- Available in custom colors.

## FHWA Eligibility

- Longitudinal Channelizing Device (LCD)
- Work Zone Barricade
- Temporary Sign Support
- Longitudinal Barrier  
(When used with Steel Rail Kit)

## Specifications

- 6' Length
- 18" Width
- 32" Height
- Empty Weight: 75 lbs.
- Full Weight: 750 lbs.



An original  YODOCK® product.

Distributed by:

