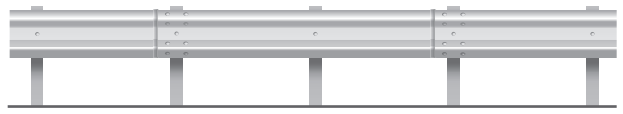


Guardrail



TGS™



TRINITY
HIGHWAY
Ahead of the Curve®

TGS™

The TGS™ (Trinity Guardrail System) is a 31" high W-Beam, no blockout system. The Standard Strong Line Posts are spaced at 6' 3" with splices either on the posts or between the posts. The TGS™ is tested to both NCHRP Report 350 Test Level 3 and MASH Test Level 3.

With the 31" system height, the W-Beam attaches directly to the post, and does not use offset blocks which helps reduce site grading.

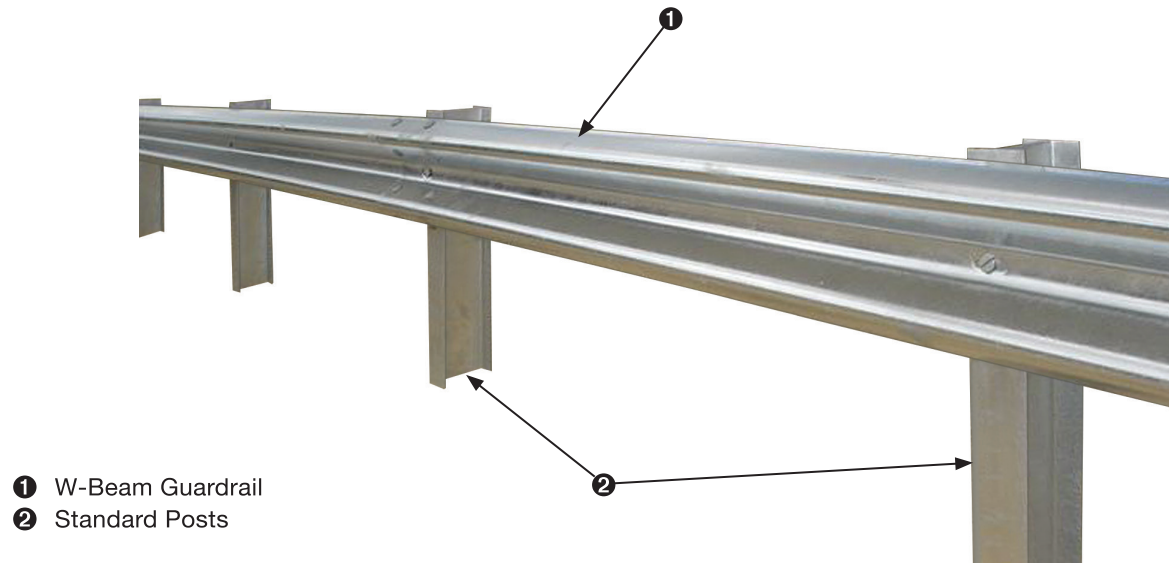


Features

- Standard strong posts.
- Does not use offset blocks which helps reduce site grading.
- Countersunk head bolts.
- Splices either at post or at mid-span.

Specifications

- Standard W-Beam Guardrail W6 x 8.5 x 6' 0" (W150 x 13.0 x 1,830 mm)
- W-Beam Guardrail Height: 31" (787 mm)
- Post spacing: 6' 3" (1,905 mm)
- Countersunk Head Bolts: 5/8" x 1 3/4" (16 mm x 45 mm)



Distributed by:



TRINITY
HIGHWAY