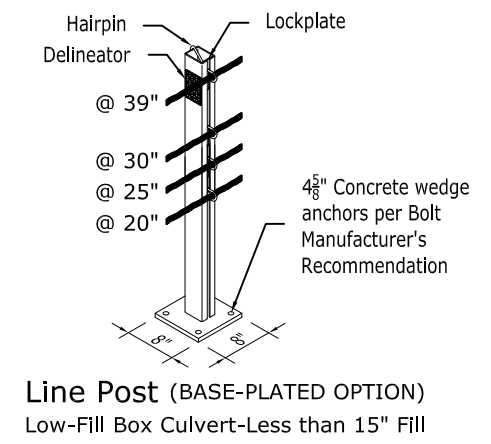
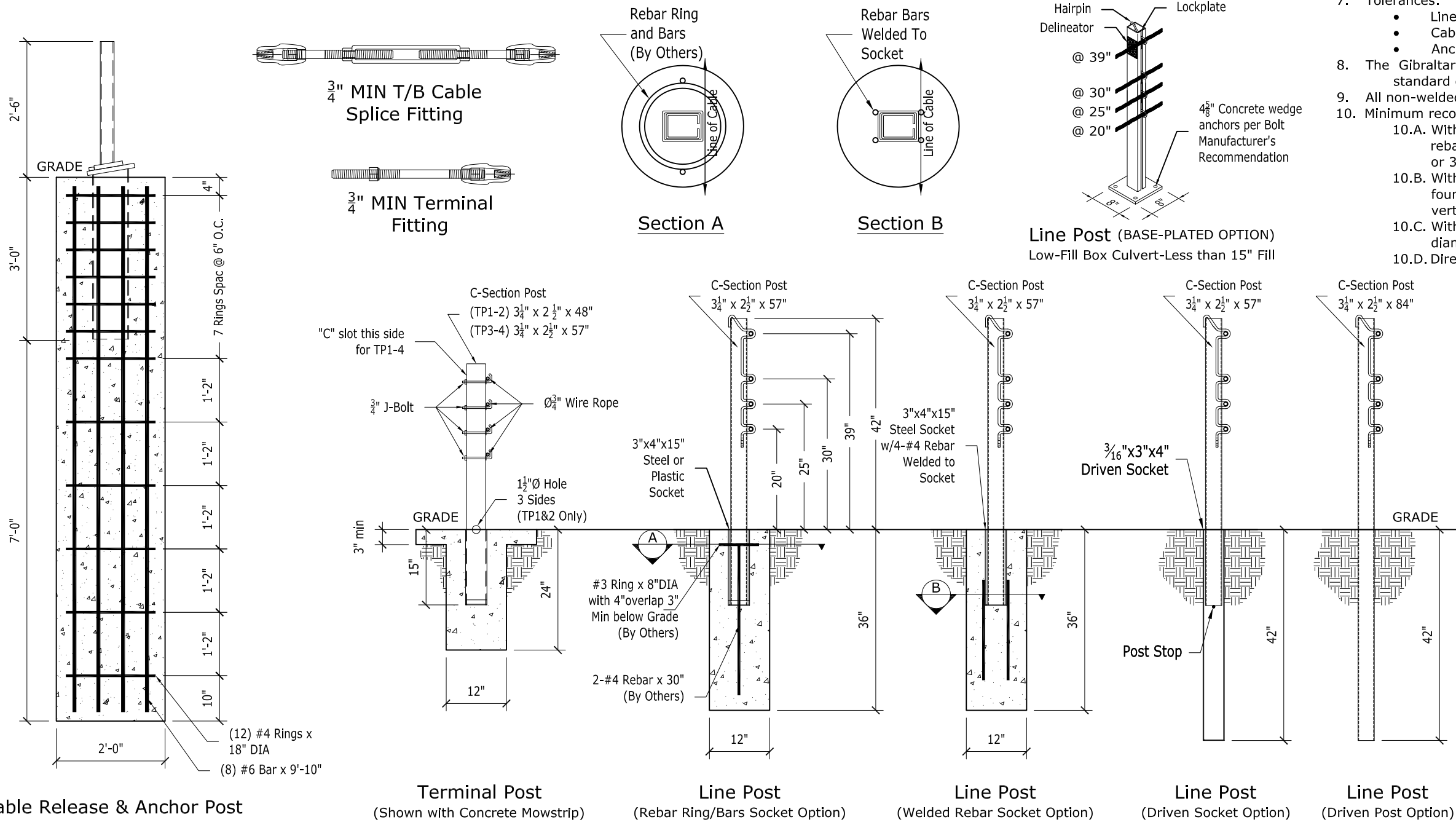


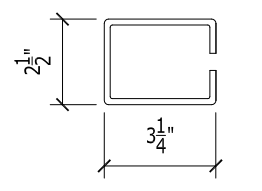
GENERAL NOTES:

- For additional information contact Gibraltar, Inc. at 1-833-715-0810 or see the manufacturer's product manual.
- All concrete shall be per specification; minimum 2500 PSI.
- The Cable Barrier System shall be installed on shoulders or on medians with slopes of 6:1 or flatter. If installed on slopes steeper than 6:1 up to 4:1 the TL-4 system performs as a TL-3 and Gibraltar must be contacted for various guidelines related to placement.
- The Cable Barrier System is accepted by the FHWA Test Level - 4.
- See the specification for delineation.
- Rock Clause: Where solid rock is encountered:
 - For socketed post, continue digging 12" diameter, 15" deep into rock or the required plan depth, whichever comes first.
 - For driven post, core drill a 4" diameter hole 18" deep into rock or the required plan depth, whichever comes first.
 - For Anchor post, continue digging 24" diameter, 30" deep into rock or the required plan depth, whichever comes first.
- Tolerances:
 - Linepost = 3" (max) out of plumb, at top
 - Cable height = ±1"
 - Anchor Post ± 5" off of Cable Reference Line
- The Gibraltar cable barrier system shall be installed in NCHRP Report 350 standard compacted soil. Soil must be well drained.
- All non-welded rebar by others.
- Minimum recommended line post foundation.
 - Without mowstrip, 36" Deep x 12" diameter foundations with #3 rebar ring x 8" diameter with two #4 rebar vertical bars 30" long or 30" welded rebar socket.
 - With 4" minimum depth hot mix asphalt, 30" deep x 12" diameter foundations with #3 rebar ring x 8" diameter with two #4 rebar vertical bars 30" long or 30" welded rebar socket.
 - With 3" minimum depth concrete mowstrip, 24" deep x 12" diameter foundations. (No rebar required).
 - Direct drive driven post and driven socket 42" deep.



Cable Tension Chart*

-10 °F	8000
0 °F	7600
10 °F	7200
20 °F	6800
30 °F	6400
40 °F	6000
50 °F	5600
60 °F	5200
70 °F	4800
80 °F	4400
90 °F	4000
100 °F	3600
110 °F	3200



C-Section Post

Deflection

Deflection	Post Spacing
9'-3"	30 FT
9'-0"	28 FT
8'-0"	20 FT
7'-0"	12 FT
6'-8"	10 FT

PROPRIETARY TO GIBRALTAR

TL-4 4 Cable System Layout

Gibraltar Cable Barrier Systems

Scale: **NTS** Date: **10-18-17**

Layout: **ANSI B** Drafter: **BH**